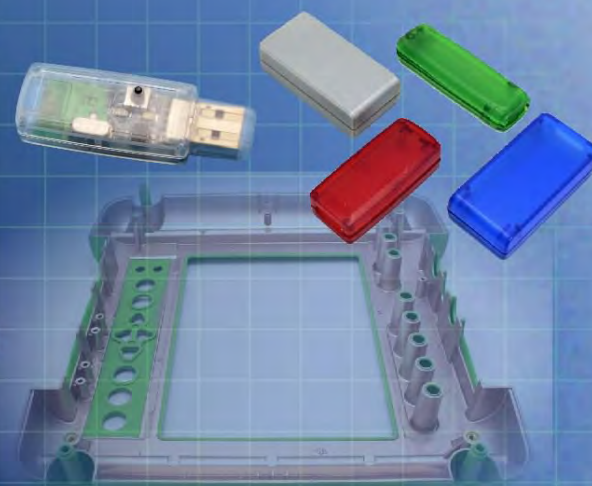


Ordering a market-ready enclosure® is made fast and affordable with our complete in-house capabilities. New Age provides machined openings to fit your PCB, pad printing for your graphics, custom enclosures, custom colors, final assembly, testing and fulfillment services to save you additional time and money. Ask your representative for a free quote today 805-595-1310.

Fast and Affordable Customization

**CNC Modifications
Pad Printing
Colored Resins
EMI/RF Shielding
Custom Enclosure
Assembly & Testing**



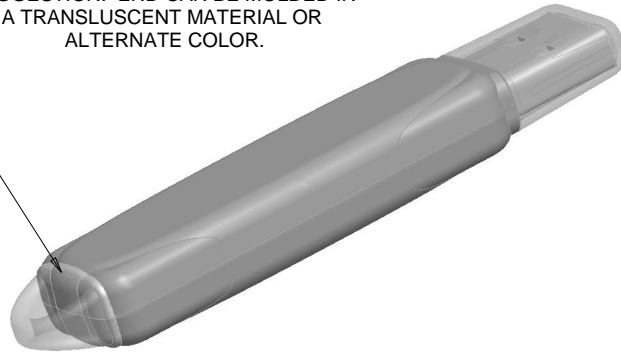
ISO quality
off-the-shelf
to market-ready®

NEW AGE ENCLOSURES

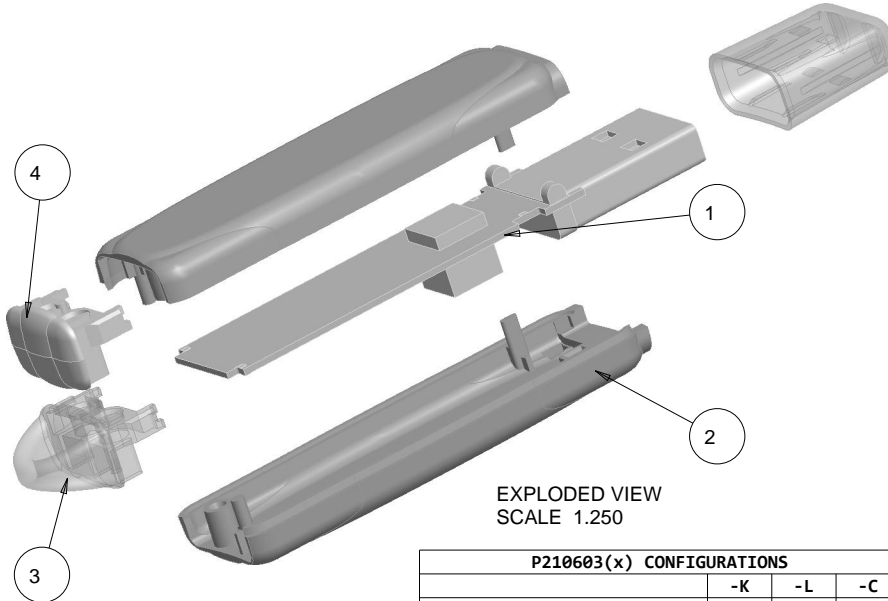
www.NewAgeEnclosures.com

4330 Santa Fe Road • San Luis Obispo, CA 93401 • T 805.595.1310 • F 805.595.1024

SUGGESTION: END CAN BE MOLDED IN A TRANSLUCENT MATERIAL OR ALTERNATE COLOR.



SCALE 1.250



EXPLODED VIEW
SCALE 1.250

P210603(x) CONFIGURATIONS			
	-K	-L	-C
P210603 CASE HALF	2	2	
P210603 END w/ KEYRING *	1		
P210603 END *		1	
P210603 CAP			1

* = ENCLOSURE IS TO BE ASSEMBLED USING THE "210603 END" OR "210603 END w/ KEYRING" NOT BOTH. SEE NOTE 8

ITEM	DESCRIPTION	MATERIAL	COLOR	QTY.
5	210603 USB CAP - STANDARD	SOLD SEPARATELY	BLACK or WHITE	1
4	210603 END	ABS	BLACK or WHITE	1
3	210603 END w/ KEYRING	ABS	BLACK or WHITE	1
2	210603 CASE HALF - STANDARD	ABS	BLACK or WHITE	2
1	210603 PCB - REFERENCE	CUSTOMER SUPPLIED	.032" THICK	1

BILL OF MATERIALS

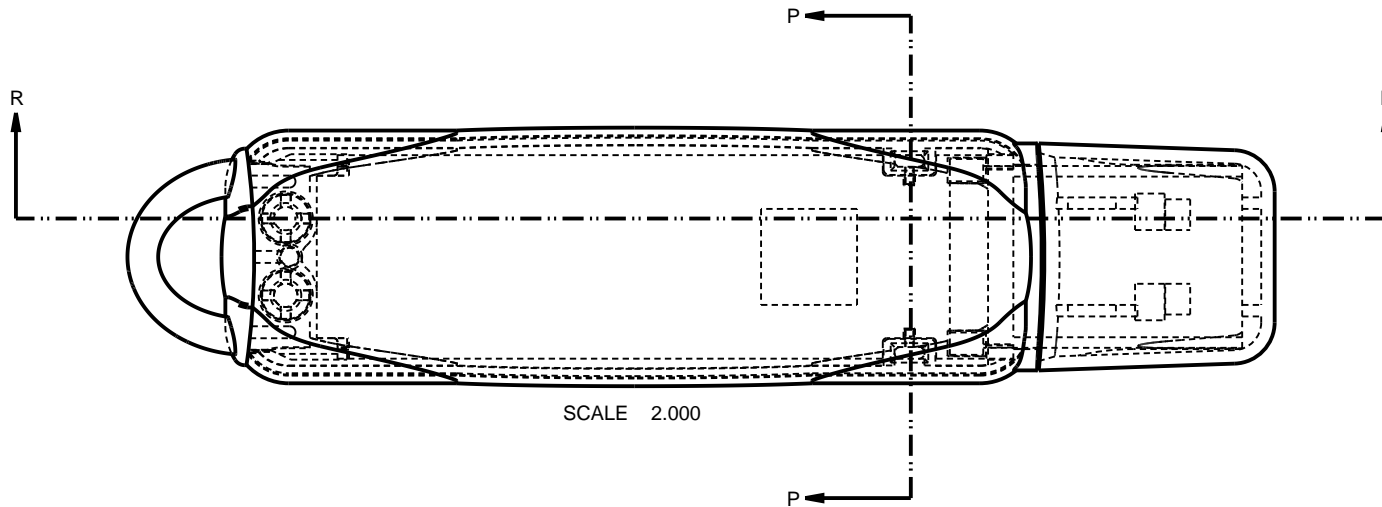
R E V I S I O N

REV.	DRAWN BY	ECO No	DESCRIPTION	DATE	APPROVED
1	M BOYER		PRELIMINARY RELEASE	07-Jul-06	D.C.
	M BOYER		REVISION LIST CONDENSED - SEE REV 10 OR PRIOR		
10.2	M BOYER	0211	NOTE CHANGE	13-Jan-11	D.C.
10.3	M BOYER	0311	REMOVE "LENS" FROM DRAWING LANGUAGE	08-Feb-11	D.C.
10.4	M BOYER	0611	UPDATE TITLE FROM "USB DEVICE" TO "USB STICK"	01-Mar-11	D.C.
10.5	M BOYER	2711	MARK ASSEMBLY DIMENSIONS AS "PRESS FIT"	21-Oct-11	

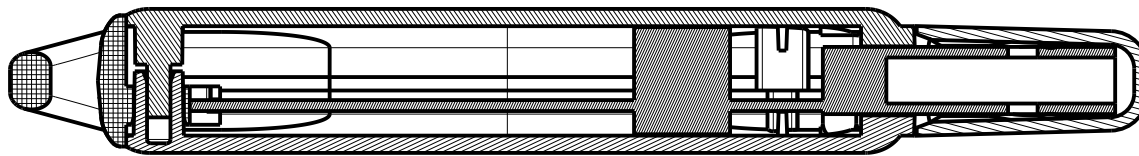
NOTES: UNLESS OTHERWISE SPECIFIED

- DIMENSIONS TO BE SYMMETRICAL ABOUT CENTERLINES WITHIN .003 T.I.R.
- CORNERS DRAWN SHARP TO BE R.005 MAXIMUM.
- EXTERIOR SURFACE TEXTURE TO BE LIGHT EDM FINISH. EQUIVELANT TO MT-11010.
- INTERIOR SURFACE TEXTURE TO BE: NONE.
- ALL INSIDE RADII .010R. UNLESS OTHERWISE SPECIFIED.
- ALL EXTERNAL DIMENSIONS AFFECTED BY THE DRAFT APPLY AT THE LARGE END OF THE FEATURE, AND ALL INTERNAL FEATURES AFFECTED BY THE DRAFT APPLY AT THE SMALL END OF THE FEATURE UNLESS OTHERWISE SPECIFIED.
- 1 DEGREES DRAFT IN THE DIRECTION OF PULL IS PERMISSIBLE UNLESS OTHERWISE SPECIFIED.
- THIS ENCLOSURE IS A PRESS FIT ASSEMBLY. FOR PERMANENT CLOSURE: A DROP ADHESIVE OR ULTRASONIC WELDING IS REQUIRED.
- MATERIAL / COLOR: BLACK OR WHITE ARE STANDARD ABS COLORS. CUSTOM MATERIALS AND COLORS ARE AVAILABLE UPON REQUEST FOR QUOTE.
- PCB SIZES ARE RECOMMENDATIONS ONLY. FINAL SIZES AND VERIFICATION OF IT'S FIT ARE THE SOLE RESPONSIBILITY OF EACH OWNER. SOLID MODELS ARE AVAILABLE FOR DOWNLOAD AT OUR WEBSITE.

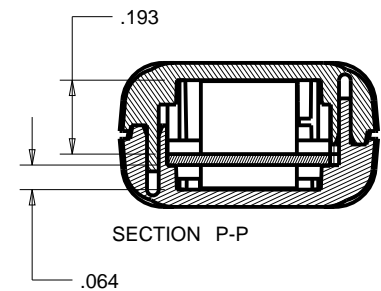
THIRD ANGLE PROJECTION 	TOLERANCES: UNLESS OTHERWISE SPECIFIED DIMENSIONS ARE IN U.S. INCHES. X.XX = .015 X.XXXX = .001 X.XXX = .010 X.X° = 1°		NEW AGE ENCLOSURES 4330 Santa Fe Road San Luis Obispo, CA. 93401 ph. (805) 595-1310 fax (805) 595-1024 www.newageenclosures.com
	DO NOT SCALE DRAWING		
NOTICE: THE INFORMATION AND DATA CONTAINED HEREIN IS CONSIDERED PROPRIETARY TO ALLTEC INTEGRATED MFG INC & SHALL REMAIN THE EXCLUSIVE PROPERTY OF ALLTEC INTEGRATED MFG INC THE HOLDER WILL ASSUME CUSTODY AND CONTROL THAT THIS DOCUMENT WILL NOT BE COPIED, REPRODUCED, OR DISCLOSED WITHOUT THE EXPRESS WRITTEN CONSENT OF ALLTEC INTEGRATED MFG INC POSSESSION OF THIS DOCUMENT DOES NOT CONSTITUTE A GRANT TO MANUFACTURE ANY ITEMS. ©2011			Customer's Part No: 210603
APPROVAL	BY	DATE	
CHECK			
ENG.			
SCALE	AS NOTED		
DRAWN BY	07-Jul-06		SIZE
M BOYER			A
DRAWING NAME		SHEET	REV.DOC
210603_R10_5		1 OF 7	10.5



SCALE 2.000

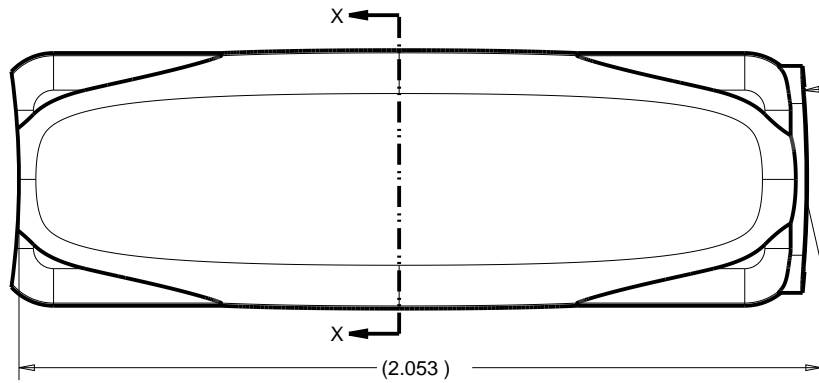


SECTION R-R

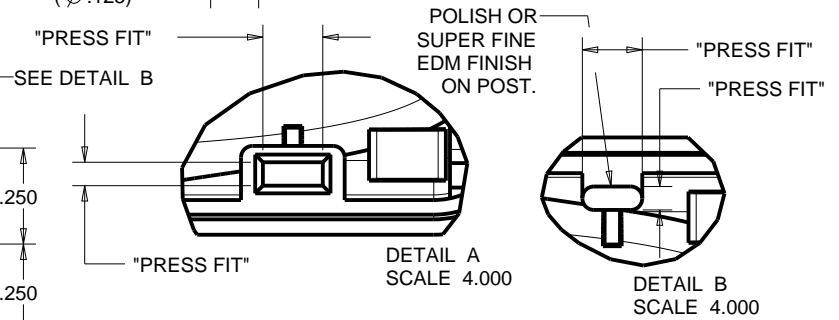
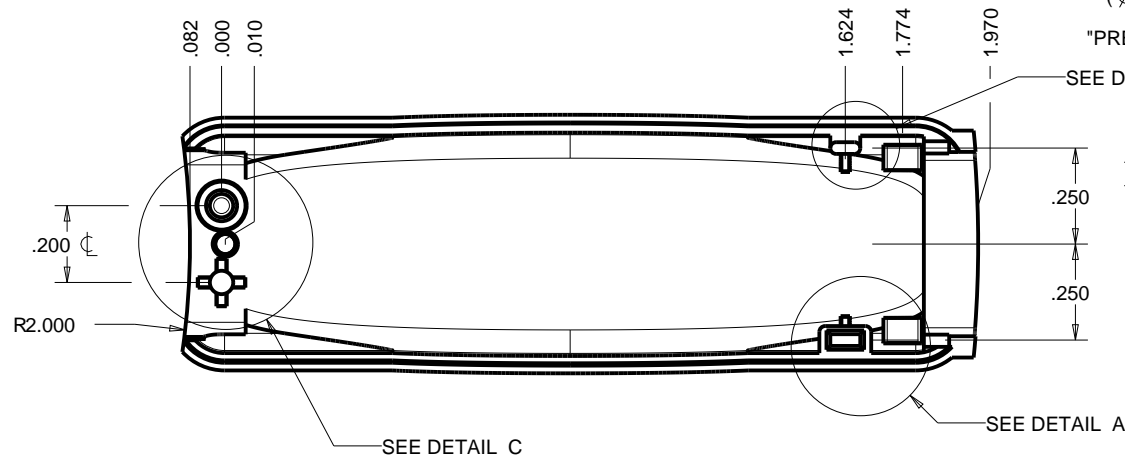
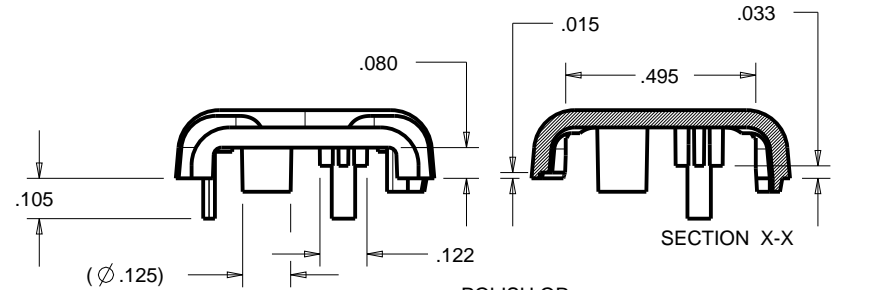
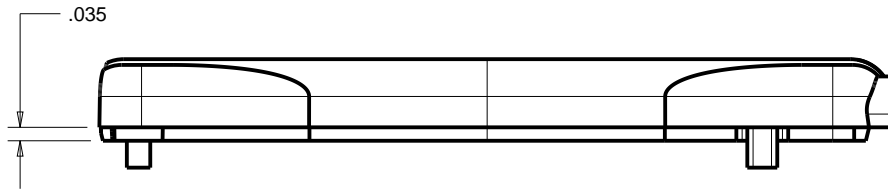
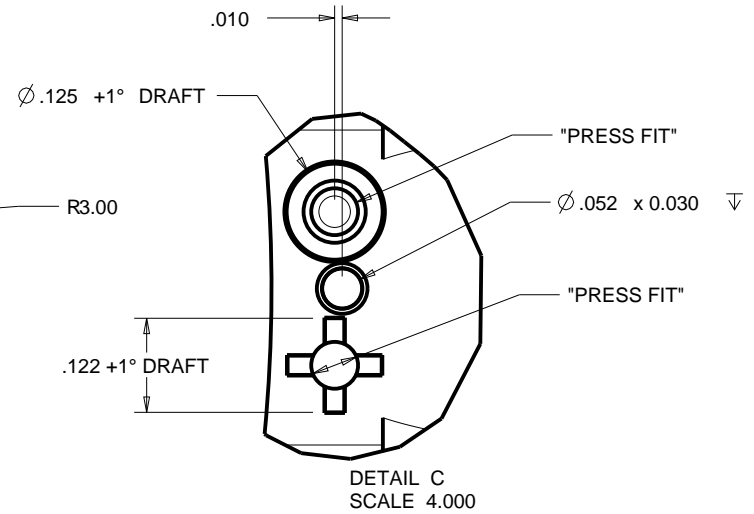


SECTION P-P

TOLERANCES: UNLESS OTHERWISE SPECIFIED DIMENSIONS ARE IN U.S. INCHES. X.XX = .015 X.XXXX = .001 X.XXX = .010 X.X° = 1°		NEW AGE ENCLOSURES 4330 Santa Fe Road San Luis Obispo, CA. 93401 ph. (805) 595-1310 fax (805) 595-1024 www.newageenclosures.com				
NEW AGE ENCLOSURES Customer's Part No: 210603						
APPROVAL	BY	DATE	STANDARD - USB STICK PXX-210603X ASSEMBLY			
CHECK						
ENG.						
SCALE	AS NOTED					
DRAWN BY			SIZE	DRAWING NAME	SHEET	REV.DOC
M BOYER		07-Jul-06	A	210603_R10_5	2 OF 7	10.5



SCALE 2.000



TOLERANCES: UNLESS OTHERWISE SPECIFIED
DIMENSIONS ARE IN U.S. INCHES.
X.XX = .015 X.XXXX = .001
X.XXX = .010 X.X° = 1°

NEW AGE ENCLOSURES
Customer's Part No: 210603

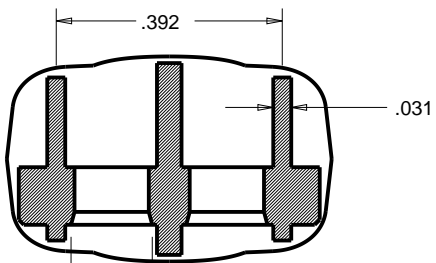
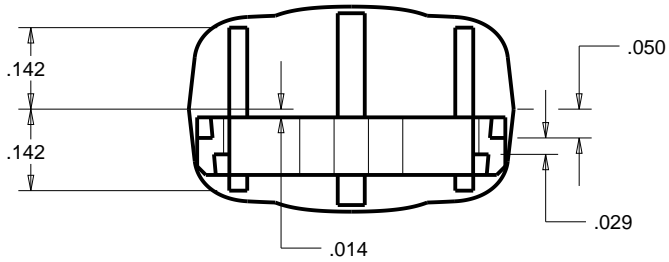
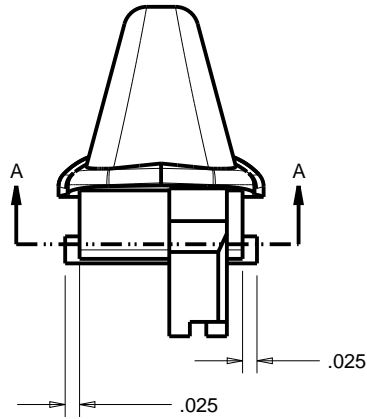
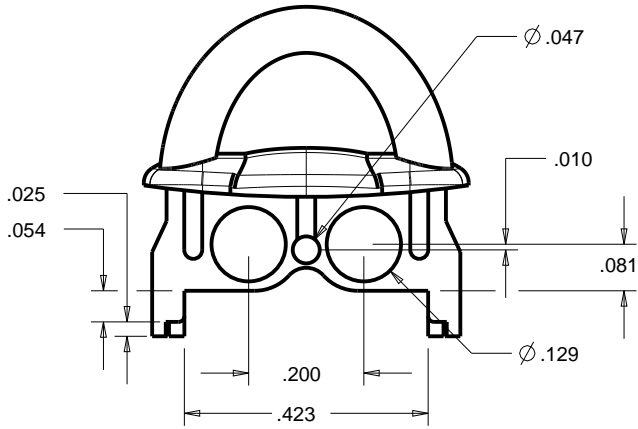
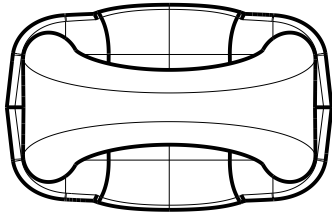
APPROVAL	BY	DATE
CHECK		
ENG.		
SCALE	AS NOTED	
DRAWN BY	07-Jul-06	
M BOYER		

NEW AGE ENCLOSURES
4330 Santa Fe Road San Luis Obispo, CA. 93401
ph. (805) 595-1310 fax (805) 595-1024
www.newageenclosures.com

**STANDARD - USB STICK
PXX-210603X ASSEMBLY**

SIZE	DRAWING NAME	SHEET	REV.DOC
A	210603_R10_5	3 OF 7	10.5

210603 END
 WITH KEY RING AND WITHOUT.
 PLEASE SPECIFY PREFERENCE WHEN ORDERING

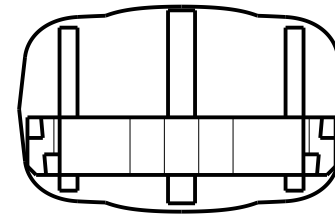
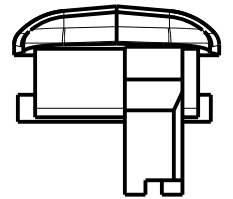
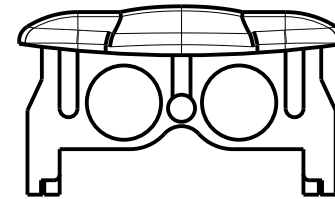


USE \varnothing .141 CORE PIN

SECTION A-A

P210603K END w/ KEYRING
 SCALE 3.000

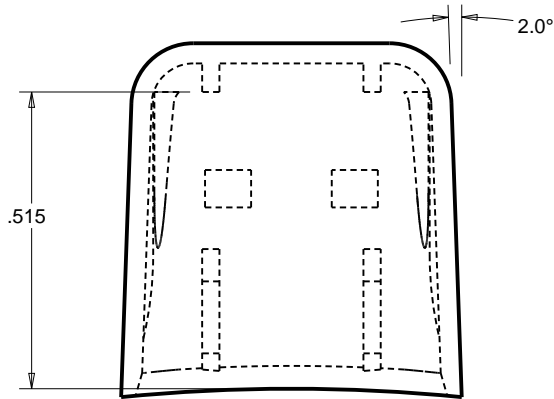
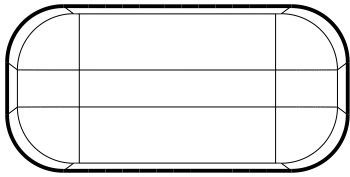
CRITICAL DIMENSIONS:
 SAME AS END W/ RING



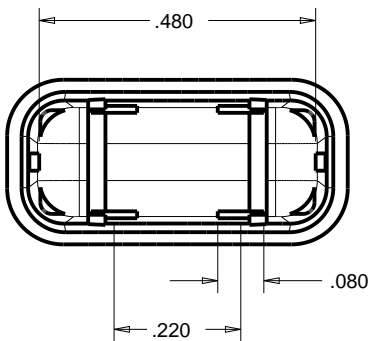
P210603L END
 SCALE 3.000

TOLERANCES: UNLESS OTHERWISE SPECIFIED DIMENSIONS ARE IN U.S. INCHES. X.XX = .015 X.XXXX = .001 X.XXX = .010 X.X° = 1°		NEW AGE ENCLOSURES 4330 Santa Fe Road San Luis Obispo, CA. 93401 ph. (805) 595-1310 fax (805) 595-1024 www.newageenclosures.com				
NEW AGE ENCLOSURES Customer's Part No: 210603						
APPROVAL	BY	DATE	STANDARD - USB STICK PXX-210603X ASSEMBLY			
CHECK						
ENG.						
SCALE	AS NOTED					
DRAWN BY			SIZE	DRAWING NAME	SHEET	REV.DOC
M BOYER		07-Jul-06	A	210603_R10_5	4 OF 7	10.5

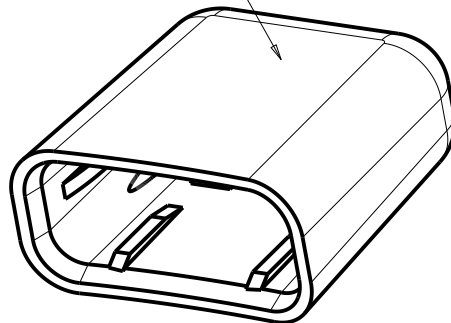
OPTIONAL USB CAP
P210603C CAP



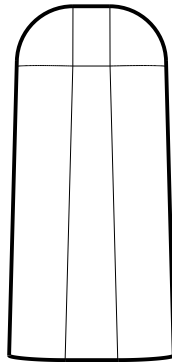
SCALE 3.000



MT-11010 or EQUIV.



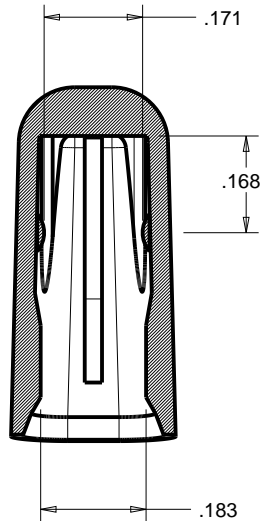
R.098



1.5°



SECTION Y-Y



SECTION A-A

TOLERANCES: UNLESS OTHERWISE SPECIFIED
DIMENSIONS ARE IN U.S. INCHES.

X.XX = .015 X.XXXX = .001
X.XXX = .010 X.X° = 1°

NEW AGE ENCLOSURES

Customer's Part No: 210603

APPROVAL BY DATE

CHECK

ENG.

SCALE AS NOTED

DRAWN BY M BOYER

07-Jul-06

NEW AGE ENCLOSURES

4330 Santa Fe Road San Luis Obispo, CA. 93401
ph. (805) 595-1310 fax (805) 595-1024
www.newageenclosures.com

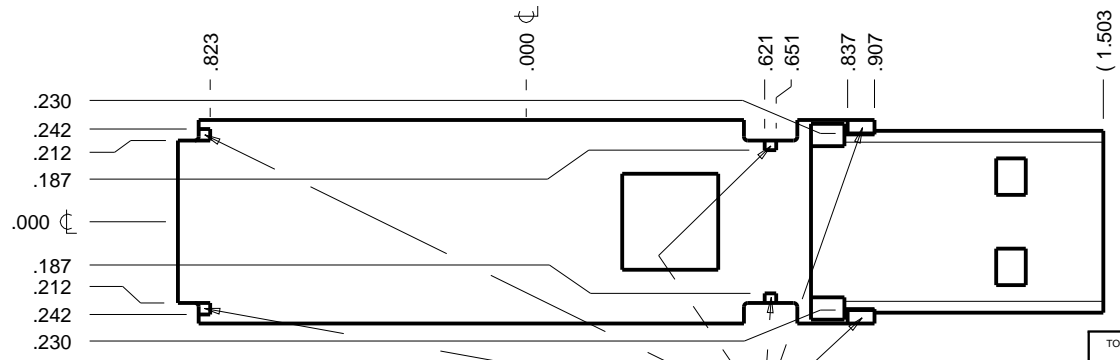
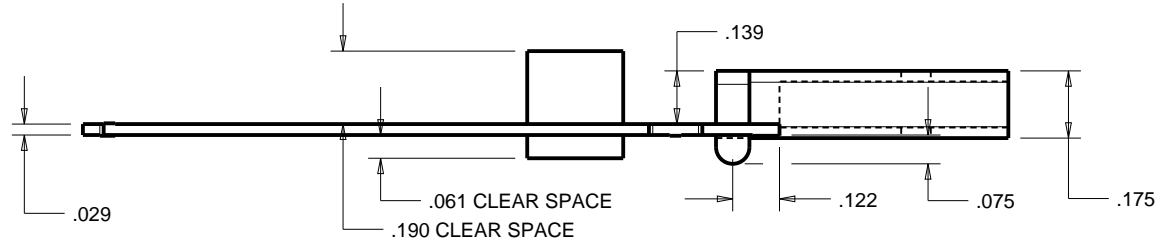
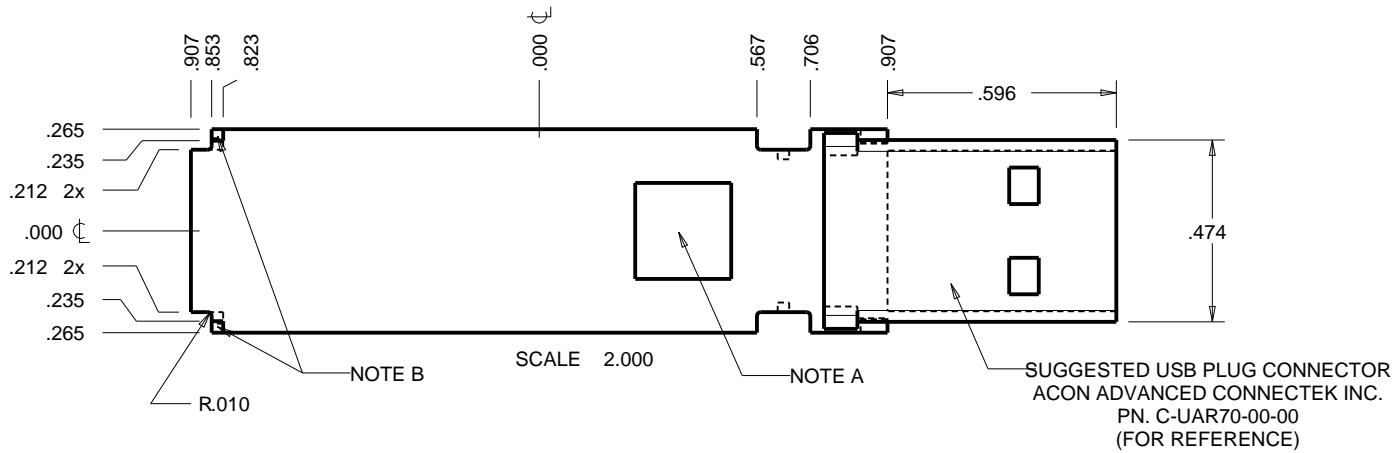
**STANDARD - USB STICK
PXX-210603X ASSEMBLY**

SIZE A DRAWING NAME 210603_R10_5

SHEET 5 OF 7 REV.DOC 10.5

P210603 PCB - CUSTOMER SUPPLIED

PCB SIZES ARE RECOMMENDATIONS ONLY. FINAL SIZES AND VERIFICATION OF IT'S FIT ARE THE SOLE RESPONSIBILITY OF THE OEM.



- NOTE
- A. FICTITIOUS COMPONENT SHOWN TO REPRESENT VERTICLE SPACE AVAILABLE.
 - B. KEEP OUT ZONES REPRESENT AREAS WHERE THE PLASTIC ENCLOSURE WILL CONTACT THE PCB.
 - C. SOLID MODELS (STP) ARE AVAILABLE FOR DOWNLOAD. OTHER FORMATS ARE AVAILABLE UPON REQUEST.

TOLERANCES: UNLESS OTHERWISE SPECIFIED DIMENSIONS ARE IN U.S. INCHES.	
X.XX = .015	X.XXXX = .001
X.XXX = .010	X.X° = 1°
NEW AGE ENCLOSURES	
Customer's Part No: 210603	
APPROVAL	BY DATE
CHECK	
ENG.	
SCALE	AS NOTED
DRAWN BY	07-Jul-06
M BOYER	

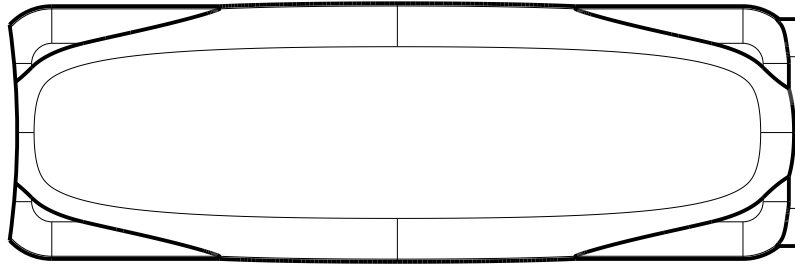
NEW AGE ENCLOSURES
 4330 Santa Fe Road San Luis Obispo, CA. 93401
 ph. (805) 595-1310 fax (805) 595-1024
www.newageenclosures.com

STANDARD - USB STICK PXX-210603X ASSEMBLY

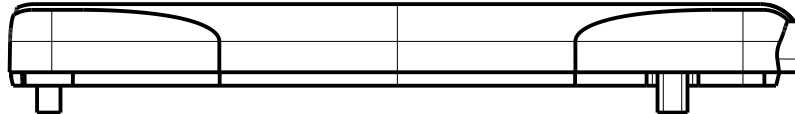
SIZE	DRAWING NAME	SHEET	REV.DOC
A	210603_R10_5	6 OF 7	10.5

2nd OPERATION DETAILS

NEW AGE ENCLOSURES DELIVERS YOUR ENCLOSURE MARKET-READY WITH IN-HOUSE
CNC MACHINING, PAD PRINTING, ASSEMBLY, AND FULFILLEMENT.
ALL SURFACES AND AREAS ARE AVAILABLE FOR CNC ALTERATION BY NEW AGE ENCLOSURES
CALL (805) 595-1310 FOR PRICING AND SCHEDULE.
THE INSIDE RADIUS OF ANY MACHINED FEATURES SHOULD BE NO SMALLER THAN .031"



SCALE 2.000



PXX-210603X-XXX COVER - ABS, BLACK

STEP NO	DESCRIPTION	CUTTER	FIXTURE	ORIENTATION	PROGRAM
1	-	T2 = .062" EM	-	-	-
2	-	T2 = .062" EM	-	-	-
3	-	T2 = .062" EM	-	-	-

TOLERANCES: UNLESS OTHERWISE SPECIFIED DIMENSIONS ARE IN U.S. INCHES. X.XX = .015 X.XXXX = .001 X.XXX = .010 X.X° = 1°			NEW AGE ENCLOSURES		NEW AGE ENCLOSURES 4330 Santa Fe Road San Luis Obispo, CA. 93401 ph. (805) 595-1310 fax (805) 595-1024 www.newageenclosures.com	
Customer's Part No: 210603			APPROVAL		STANDARD - USB STICK PXX-210603X ASSEMBLY	
			BY DATE			
			CHECK			
			ENG.			
			SCALE		AS NOTED	
			DRAWN BY		SIZE	
			M BOYER		A	
			07-Jul-06		DRAWING NAME	
					210603_R10_5	
					SHEET	
					7 OF 7	
					REV.DOC	
					10.5	